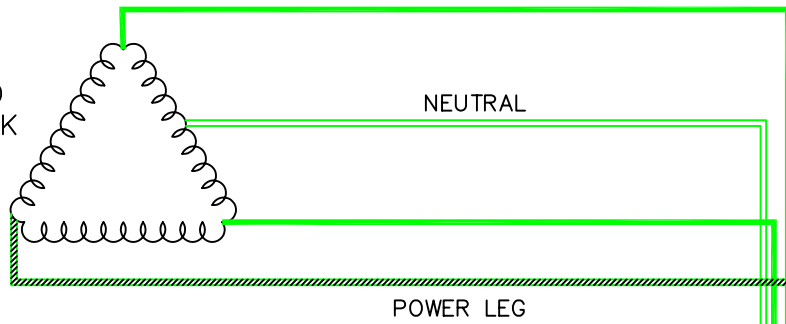
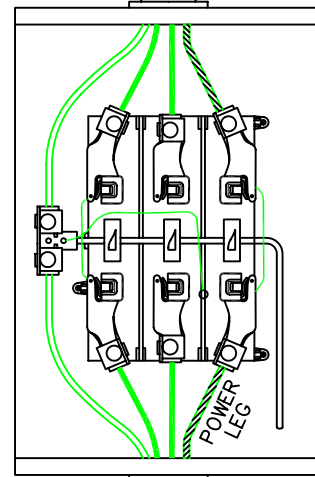


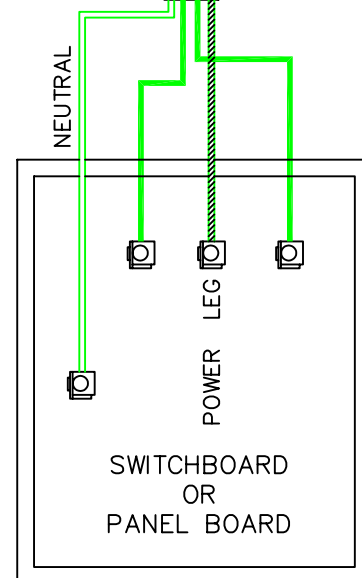
DELTA CONNECTED  
TRANSFORMER BANK



POWER LEG MUST BE "C" PHASE IN  
METER SOCKET FOR CORRECT  
METER REGISTRATION.



POWER LEG MUST BE "B" PHASE IN  
CUSTOMER'S SWITCHBOARD OR PANEL BOARD  
TO COMPLY WITH SECTION 384-3(F) OF THE  
NATIONAL ELECTRICAL CODE.



POWER LEG CONNECTION ON 3 - PHASE,  
4 - WIRE DELTA CONNECTED SYSTEMS