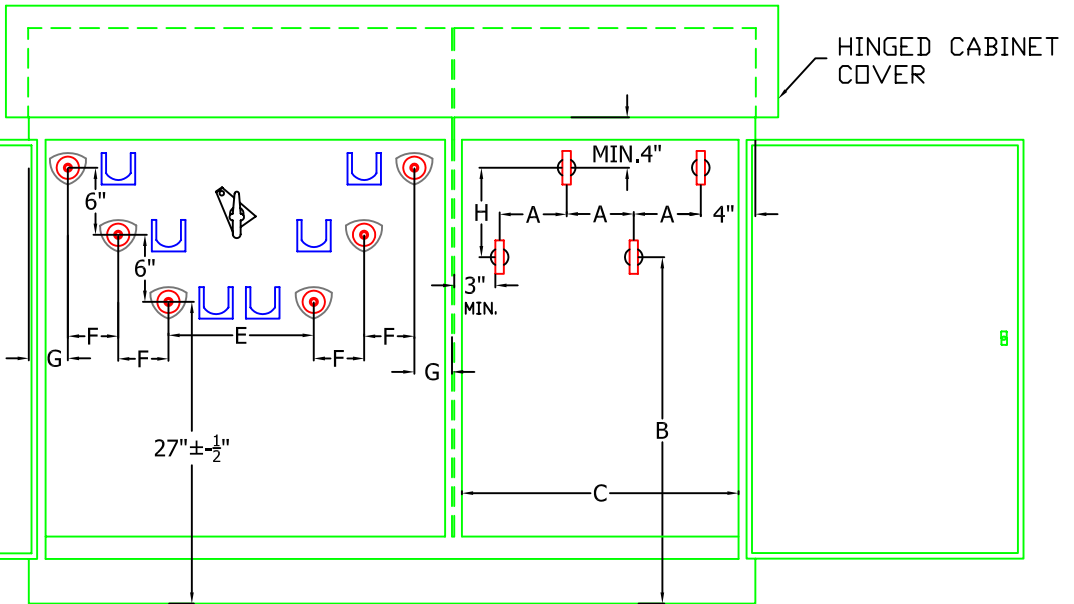
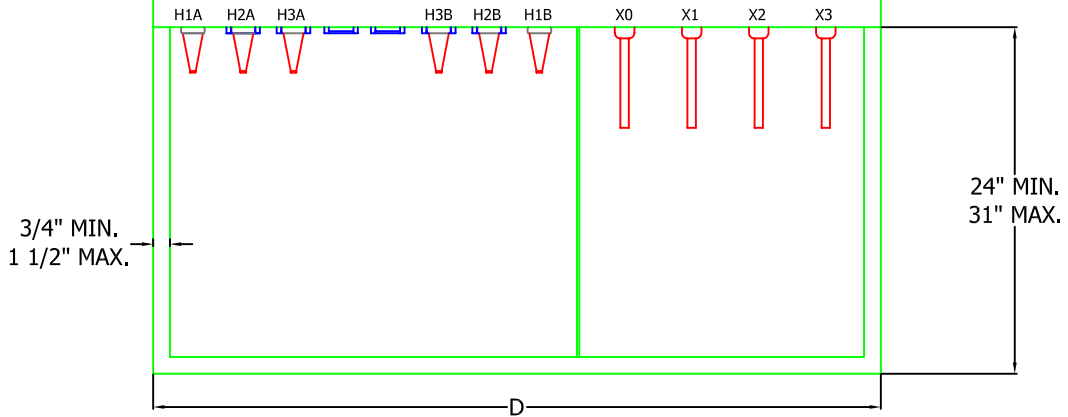


Top View



Front View

RATED KVA	A	B	C	MIN.	MAX.	MIN.	MAX.	F	G	H
				D	E					
75-150	5 (+/-) 1/2"	27 (+/-) 1/2"	24"	58 1/2"	64"	9 1/2"	13"	4 1/2"	3 1/2"	6"
225-500	6 (+/-) 1/2"	31 (+/-) 1/2"	24-27"	59 1/2"	66"	9 1/2"	13"	4 1/2"	3 1/2"	8"
750-1000	6 (+/-) 1/2"	46 (+/-) 1/2"	27-31"	61 1/2"	72"	9 1/2"	13"	4 1/2"	3 1/2"	8"
1500-2500	6 (+/-) 1/2"	46 (+/-) 1/2"	27-31"	61 1/2"	85"	9 1/2"	13"	4 1/2"	3 1/2"	8"